



Electrolux

Warewashing Undercounter Dishwasher with Pressure Boiler

ITEM # _____

MODEL # _____

NAME # _____

SIS # _____

AIA # _____



Electrolux



Warewashing

Undercounter Dishwasher with Pressure Boiler

400140 (NUC1)

Undercounter Dishwasher
with pressure boiler - 230
V/1N/50 Hz

Short Form Specification

Item No. _____

Unit shall be Electrolux undercounter type hot water rinsing dishmachine with pressure boiler. Electrical characteristics to be ___ 230 volts one phase operation with two wash cycles of 120/180 seconds for normally or heavily soiled items. Rinse temperature and pressure guaranteed by built in pressure boiler. Washing performance is guaranteed by a powerful wash pump, revolving washing spray arms. 304 Stainless steel construction to include door, frame, wash tank. The unit shall include rinse aid dispenser pump.

Main Features

- Built-in pressure boiler sized to raise incoming 50 °C water to guarantee a minimum rinsing temperature of 82 °C for sanitizing rinse. No external booster is required.
- Incorporated Soft Start feature to offer additional protection to more delicate items.
- Washing system endowed with rotating washing arms, high powered wash pump and large capacity boiler for professional washing.
- 4 second (variable) pause after washing and before rinsing ensures that no drops of unclean water will fall on the clean items at the end of the rinsing cycle.
- Fully automatic self-cleaning cycle avoids the risk of bacteria proliferation.
- 120/180 seconds cycle.
- Simple control panel with digital display allows on-site personalization of washing and rinsing cycle times and temperatures as well as precise rinse aid and detergent quantities to suit customer's needs.
- Easy to remove wash/rinse arms.
- Simple service from the front.
- IPX 4 water protection.
- Pre-arranged to accept external dispensers.
- Pre-arrangement for HACCP system implementation and Energy Management device.

Construction

- Unit to feature smooth surfaces to facilitate cleaning.
- Front and side panels, door and wash tank made in heavy duty anti-corrosive AISI 304 stainless steel.
- 304 stainless steel boiler with higher welding protection to increase resistance to corrosion.
- PVC water supply hose with metal connections resistant to high water pressure.
- Completely closed on the back by a cover plate.
- Single phase electrical connection.

Included Accessories

- 1 of Yellow cutlery container PNC 864242
- 1 of Basket for 18 dinner plates - yellow PNC 867002

Optional Accessories

- 12lt external manual water softener PNC 860412
- 8lt external automatic water softener PNC 860413
- Stand for undercounter dishwasher PNC 860418
- 20lt external manual water softener PNC 860430
- Integrated HACCP kit PNC 864001
- HACCP printer kit PNC 864002
- External detergent level probe kit PNC 864004

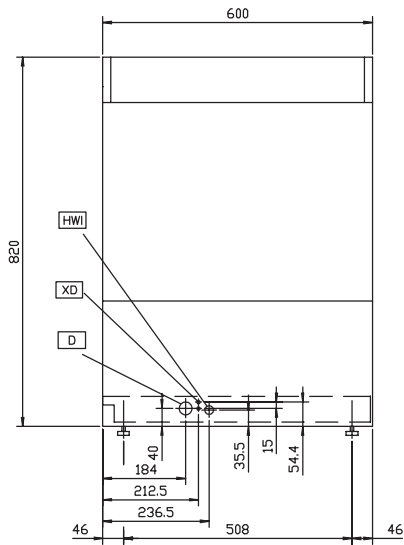
APPROVAL: _____



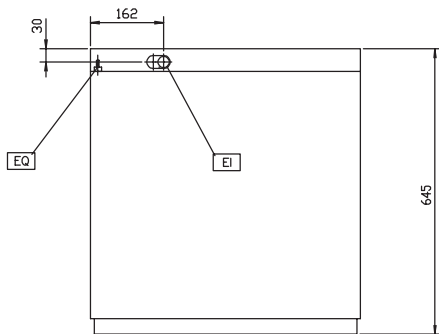
Electrolux

Warewashing Undercounter Dishwasher with Pressure Boiler

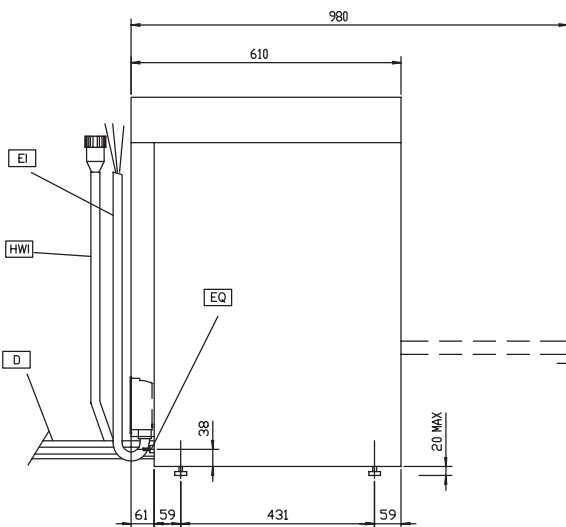
Front



Top



Side



D = Drain
EI = Electrical connection
HWI = Hot water inlet
XD = Detergent connection

Electric

Supply voltage:	
400140(NUC1)	230 V/1N ph/50 Hz
Total Watts:	3.65 kW
Boiler heating elements:	2.8 kW
Tank heating elements:	2 kW
Wash pump size:	0.736 kW

Water:

Pressure:	2-3 bar
Water supply temperature:	50 °C
Water supply hardness (MAX):	7-14 °fH (4-8 °dH)
Inlet Water supply pressure:	29 - 44 psi (2 - 3 bar)
Water consumption per cycle (lt):	3.3
Working cycles time (sec.):	120/180
Boiler Capacity (lt):	5.8
Tank Capacity (lt):	33
Incoming water line size:	
Drain line size:	40 mm
Washing cycle temperature:	55-65 °C
Washing cycle tank capacity (lt):	33
Hot rinse cycle duration (sec.):	16
Hot rinse cycle temperature:	80-90 °C
Hot rinse cycle water consumption (lt):	3.3

Key Information:

N° of cycles - sec.:	2 (120/180)
Baskets per hour:	30
Dishes per hour:	540
Wash temperature (MIN):	55-65 °C
Rinse temperature (MIN):	80-90 °C
External dimensions, Height:	820 mm
External dimensions, Width:	600 mm
External dimensions, Depth:	610 mm
Packaging size (WxDxH):	600x610x820 mm
Noise level:	<70 dBA
Cell dimensions - width:	500 mm
Cell dimensions - depth:	500 mm
Cell dimensions - height:	330 mm

Warewashing Undercounter Dishwasher with Pressure Boiler

The company reserves the right to make modifications to the products without prior notice. All information correct at time of printing.





Electrolux

Warewashing Undercounter Dishwasher with Pressure Boiler

Optional Accessories

- External rinse aid level probe kit PNC 864005
- Drain pump kit for 50Hz dishwashers PNC 864012
- Stainless steel inlet hose kit PNC 864016
- Filter for partial demineralization PNC 864017
- Kit to measure total and partial water hardness PNC 864050
- Rinse booster pump kit for single tank pressure dishwasher PNC 864051
- Detergent dosing kit PNC 864218
- Stainless steel tank filter for single skin undercounter PNC 864222
- Yellow cutlery container PNC 864242
- AISI 304 stainless steel back panel for undercounters EUC PNC 864246
- Kit 4 plastic boxes for cutlery - yellow PNC 865574
- Basket for 18 dinner plates - yellow PNC 867002
- Basket for 48 small cups or 24 cups - blue PNC 867007
- Cover rack for small and light items (500x500 baskets) PNC 867016
- Basket for 16 vertical glasses (h 70 mm - diam 100 mm) - blue PNC 867023



Warewashing
Undercounter Dishwasher with Pressure Boiler

The company reserves the right to make modifications to the products without prior notice. All information correct at time of printing.

2012.09.28