



Electrolux

Digital Undercounter Refrigerated Counter Saladette - 116 gal (440 lt) 3 Door

ITEM # _____

MODEL # _____

NAME # _____

SIS # _____

AIA # _____



Electrolux



Digital Undercounter

Refrigerated Counter Saladette - 116 gal (440 lt) 3 Door

726592 (RCDR3M30H)

Refrigerated Counter Saladette - 116 gal (440 lt) 3 Door 230 V/1N/50Hz

Short Form Specification

Item No.

External and internal in AISI 304 stainless steel. Worktop, thickness mm50, fitted with cut-out for n. 4 GN 1/3 containers (not included) and stainless steel lid. N. 3 full doors. Built-in refrigeration unit. Ventilated operating mode. Evaporator. Electronic microprocessor control with external digital temperature display. Automatic defrost. Operating temperature: -2+10°C. For ambient temperatures up to 43 °C. CFC and HCFC free. R134a gas in refrigeration circuit. Gas in foam: Cyclopentane. Supplied with n. 3X1/1GN Rilsan coated grids and n. 12 sets of 2 stainless steel grid runners.

Main Features

- Suitable for use in ambient temperatures of up to 43 °C.
- Adjustable temperature range from -2 °C to 10 °C to suit meat, fish and dairy storage requirements.
- Anti-tilt runners accept GN 1/1 containers.
- Electronic microprocessor control with external digital temperature display.
- Forced air circulation for rapid cooling and an even temperature distribution.
- CFC and HCFC free (ecological refrigerant type: R134a, - gas in foam: cyclopentane).
- 60 mm insulation for energy saving.
- Cut-out worktop suitable for 4 GN 1/3 trays.
- Stainless steel lid for non-operating periods.

Construction

- Mounted on legs with height adjustment.
- Built-in compressor to suit operating conditions.
- Constructed from AISI 304 Stainless steel throughout to meet the highest hygiene standards.
- Rounded internal corners for ease of cleaning.
- Mounted on Stainless steel legs to give 150 mm clearance for ease of cleaning the floor.
- Worktop in AISI 304 Stainless steel with a 50 mm thickness.
- Access to all components from the front.
- Developed and produced in ISO 9001 and ISO 14001 certified factory.

Included Accessories

- 3 of 1/1GN grey rilsan grid PNC 881435

Optional Accessories

- 1/1GN plastic container h=100mm PNC 811451
- 1/1GN plastic container h=65mm PNC 881038
- 1/1GN plastic container h=150mm PNC 881040
- 1/1GN grey rilsan grid PNC 881435
- Lock for refrigerated counters PNC 881499

APPROVAL: _____



Electrolux

Digital Undercounter Refrigerated Counter Saladette - 116 gal (440 lt) 3 Door

Electric

Supply voltage:

726592(RCDR3M30H)

230 V/1N ph/50 Hz

Key Information:

Door hinges: 1 Left+2 Right

Built-in Compressor and Refrigeration Unit

External dimensions, Height: 850 mm

External dimensions, Width: 1759 mm

External dimensions, Depth: 700 mm

External dimensions, Weight: 142 kg

Number and type of doors: 3

Depth with doors open: 1110 mm

Height adjustment: -10/50 mm

Number and type of grids (included): 3 - GN 1/1

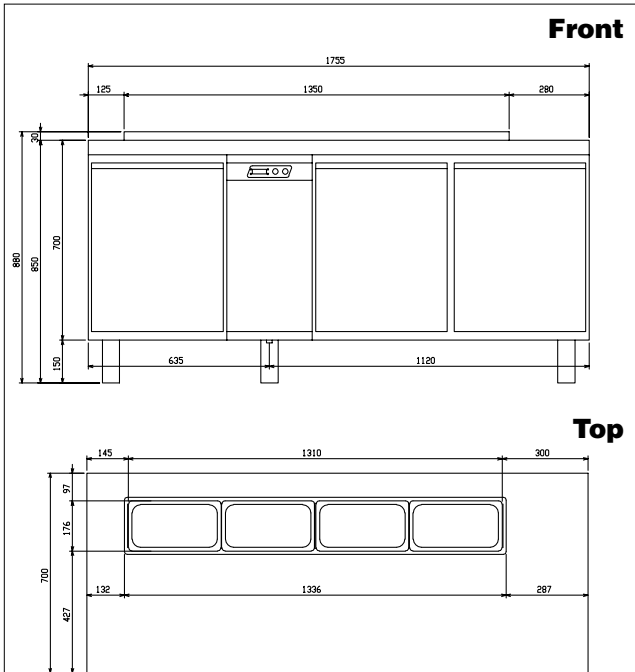
Refrigeration Data

Compressor power: 1/4 hp

Refrigerant type: R134a

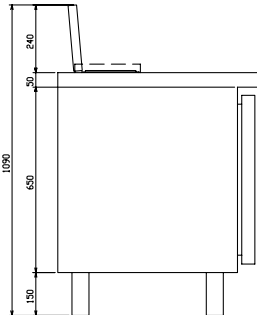
Refrigeration power: 358 W

Refrigerant weight: 220 g



EI = Electrical connection

Side



Digital Undercounter Refrigerated Counter Saladette - 116 gal (440 lt) 3 Door

The company reserves the right to make modifications to the products without prior notice. All information correct at time of printing.

2009.10.26